



FURUNO®

350 watt, Small, High performance, dual frequency

COLOR LCD SOUNDER

Model FCV-600L



- Vivid 5.6" color LCD (TFT) with a wider viewing angle
- 50 and 200 kHz dual operating frequencies
- High output power, 350 Wrms
- Advanced operation modes
- Low power consumption
- Auto Mode for hands off operation
- Fish, Depth and Temp alarms
- Nav data display
- Optional thru-hull or transom mount TRIDUCER , speed/temp sensors available



The future today with FURUNO's electronics technology.

FURUNO ELECTRIC CO., LTD.

9-52 Ashihara-cho, Nishinomiya City, Japan Telephone: +81 (0)798 65-2111
Telefax: +81 (0)798 65-4200, 66-4622, 66-4623

Catalogue No. E-374c

TRADE MARK REGISTERED
MARCA REGISTRADA

The FURUNO FCV-600L is an exciting new, high performance, dual-frequency color LCD sounder. It has been designed for small fishing and recreational boats. FURUNO's 50 years of proven marine electronics technologies are concentrated into its compact waterproof case.

The FCV-600L employs a 5.6" color LCD (TFT) screen for vivid and wide angle visibility. Operating frequencies are 50 and 200 kHz with high transmission output power of 350 Watts RMS.

There are four basic operation modes: Single (50 or 200 kHz), Dual, Zoom (Marker Zoom/Bottom Zoom/Bottom-Lock) and Nav. Other features include A-Scope, Alarm

(fish, depth or temp) and Temperature graph. For operation simplicity, an Auto mode is provided.

The Dual mode simultaneously displays sounding pictures of both 50 and 200 kHz on the two separate windows. This lets you analyze a target (fish or bottom) with two different sounding pictures. The Zoom mode gives a closer look of a specified portion of the water column. The Nav mode gives own ship navigation data as well as sounding data when connected with appropriate sensors such as GPS/DGPS navigator, speed and temperature sensors.

The compact waterproof display case allows for a flexible installation on the flybridge or the navigation bridge.

SPECIFICATIONS OF FCV-600L

- 1. Display** 5.6-inch color LCD (TFT),
240 (H) x 320 (V) dots, 16-color presentation
- 2. Operating Frequency** 50 and 200 kHz
- 3. Output Power** 350 W rms
- 4. Display Modes** Single (50 or 200 kHz), Dual (50 and 200 kHz)
Zoom (Marker Zoom, Bottom Zoom, Bottom Lock), Nav and Combination with A-scope
- 5. Range Scales**
2 to 500 m (1000 m max with range phasing)
7 to 1500 ft (3000 ft max with range phasing)
1 to 250 fa (500 fa max with range phasing)
(PB is also available)
- The basic ranges can be changed on the system menu.*
- 6. Pulselength and Pulse Repetition Rates (PRR)**
Pulselength: 0.125 to 3 ms (depending on range scales)
PRR: 50 to 1500 pulses/min (depending on range scales)
- 7. Beamwidth** (at -3 dB) 46° (50 kHz), 10° (200 kHz)
- 8. Interface** (NMEA0183, version 1.5/2.0)
Input: \$- -RMA, \$- -RMB, \$- -RMC, \$- -GLL, \$- -VTG,
\$- -VHW, \$- -MTW, \$- -XTE, \$- -BWC
Output: Water depth (\$SDDBT), Speed (\$VWVHW)*,
Water temperature (\$YCMTW)*
* *Optional sensor required.*

ENVIRONMENT (IEC60945 test method)
Temperature: -15°C to +55°C (Display Unit)
Waterproofing: IPX5 (IEC60529), CFR-46 (USCG)

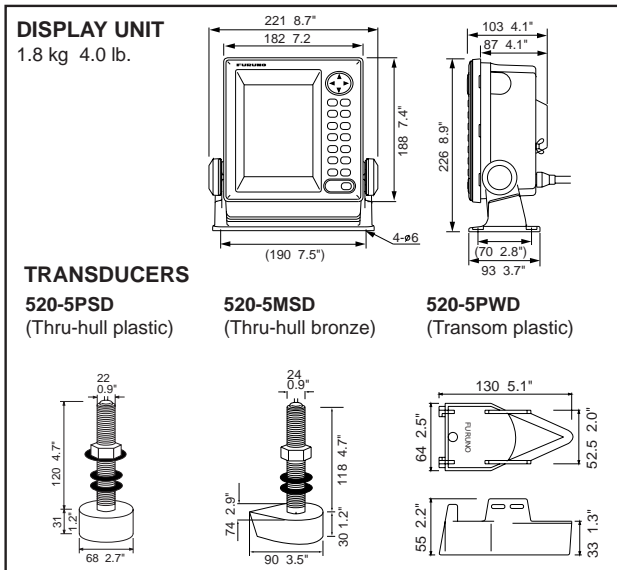
EQUIPMENT LIST (specify operating frequency)
Standard

1. Display Unit with screen protection cover
2. Installation materials and spare parts

Optional

1. NMEA cable with 2x6p connectors
MJ-A6SPF0012-050 (5 m), MJ-A6SPF0012-100 (10 m)
2. Speed & temperature sensors (two-in-one)
Optional connector kit required
ST-02MSB (Thru-hull, bronze), ST-02PSB (Thru-hull, plastic),
ST-01PTB (Transom, plastic)
3. Temperature sensor
Optional connector kit required
T-02MTB (Bronze, Transom), T-03MSB (Bronze, Thru-hull),
T-02MSB (Bronze, Thru-hull)
4. Connector kit for connection of Speed & temperature sensor or temperature sensor
5. Rectifier PR-62 for 115/230 VAC mains

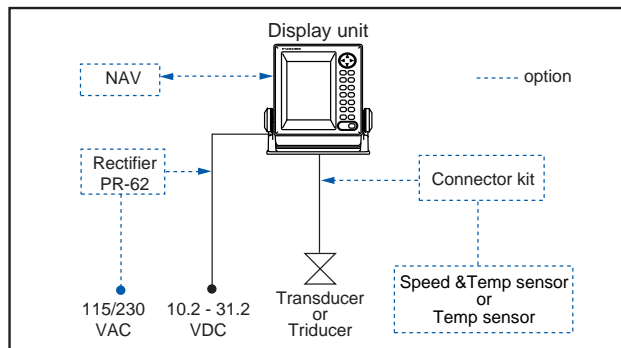
POWER SUPPLY 10.2 to 31.2 VDC, 15 W max



TRANSDUCER (specify when ordering)

Transducers

1. 520-5PSD (Plastic, Thru-hull)
 2. 520-5PWD (Plastic, Transom)
 3. 520-5MSD (Bronze, Thru-hull)
- Triducers (Transducer with speed/temp sensor)
1. 520ST-PWD (Plastic, Transom)
 2. 524ST-MSD (Bronze, Thru-hull)



SPECIFICATIONS SUBJECT TO CHANGE WITHOUT NOTICE

FURUNO U.S.A., INC.
Camas, Washington, U.S.A.
Phone: +1 360-834-9300 Telefax: +1 360-834-9400

FURUNO (UK) LIMITED
Denmead, Hampshire, U.K.
Phone: +44 2392-230303 Telefax: +44 2392-230101

FURUNO FRANCE S.A.
Bordeaux-Mérignac, France
Phone: +33 5 56 13 48 00 Telefax: +33 5 56 13 48 01

FURUNO ESPAÑA S.A.
Madrid, Spain
Phone: +34 91-725-90-88 Telefax: +34 91-725-98-97

FURUNO DANMARK AS
Hvidovre, Denmark
Phone: +45 36 77 45 00 Telefax: +45 36 77 45 01

FURUNO NORGE A/S
Ålesund, Norway
Phone: +47 70 102950 Telefax: +47 70 127021

FURUNO SVERIGE AB
Västra Frölunda, Sweden
Phone: +46 31-7098940 Telefax: +46 31-497093

FURUNO SUOMI OY
Helsinki, Finland
Phone: +358 9 341 7570 Telefax: +358 9 3417 5716

0002XB Printed in Japan

