



Standard Features & Accessories

All models include

- Large convection oven
 - Overall capacity—3.1 cu. ft. (18"W. x 16-1/8"H. x 18-3/4"D.)
 - AHAM* capacity—3.0 cu. ft. (18"W. x 16-1/8"H. x 17-5/8"D.)
- Three heavy-duty racks/six rack positions
- Drip tray with roller bearing glides and two-quart drip pan
- **Exclusive** combination of single bake burners and infrared broil burner, all with automatic ignition
- Six functions
 - Natural airflow bake
 - Convection bake
 - Infrared broil

- Convection infrared broil
- Convection dehydrate
- Convection defrost
- 6"H. stainless steel backguard
- Standard kickspace height

4B model includes

- Four 15,000 BTU stainless steel burners with porcelain/cast iron caps and automatic ignition/re-ignition
- **Exclusive** VariSimmer™ setting for all burners

G model includes

- 24"W. thermostatically controlled steel griddle/simmer plate (separate burner/control for left and right sides)

Q model includes

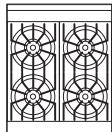
- 24"W. grill with flavor generator plates and automatic ignition/re-ignition

K model includes

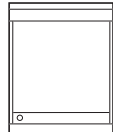
- One 27,500 BTU porcelain/cast iron burner with automatic ignition/re-ignition
- 20"W. steel wok/top
- **Exclusive** agency-certified center trivet allows use of large stock pots

*The Association of Home Appliance Manufacturers (AHAM) standard for measuring oven capacity subtracts the door plug and convection baffle dimension from the total oven volume.

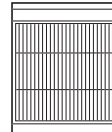
Model Options



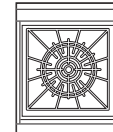
VGIC245-4B*
Four-Burner Range



VGIC245-G*
Griddle Range



VGIC245-Q*
Grill Range



VGIC245-K*
Wok/Cooker Range

FINISH DETAILS FOR ALL MODELS

- Stainless Steel (SS), Black (BK), White (WH), Metallic Silver (MS), Graphite Gray (GG), Stone Gray (SG), Taupe (TP), Biscuit (BT), Cotton White (CW), Oyster Gray (OG), Golden Mist (GM), Lemonade (LE), Sage (SA), Mint Julep (MJ), Sea Glass (SE), Iridescent Blue (IB), Viking Blue (VB), Pumpkin (PM), Racing Red (RR), Apple Red (AR), Burgundy (BU), Plum (PL), Chocolate (CH), and Cobalt Blue (CB).
 - Finish designates door front, lower front panel, and side panels.

- Black porcelain grates, black porcelain burner caps, and black porcelain grate supports/burner bowls, with black knobs/switches.
- White (WH)
 - Finish designates door front, lower front panel, side panels, porcelain grate supports/burner bowls, porcelain center worktop, and knobs/switches.
 - Black porcelain grates and black porcelain burner caps.

- Stainless steel handle/chrome-plated brackets and stainless steel drip tray pull, control panel, and landing ledge.
- Brass Trim Option (BR)—nameplate, window trim, handle, drip tray pull, knob bezels, thermal-convection switch bezel, and grate support side trim. Brass components have a durable protective coating for maintenance-free normal use.

*Shown throughout with 6"H. backguard. See **Installation Notes & Accessories** for details.

ORDERING INSTRUCTIONS

First specify model number, and then color code (VGIC245-4BSS). If ordering optional brass trim, specify code at end (VGIC245-4BSSBR). If ordering optional LP conversion, specify code at end (VGIC245-4BSSBRLP).





Dimensions & Specifications

PRODUCT DIMENSIONS & DOOR SWING



**VGIC245-4B
Four-Burner Range**



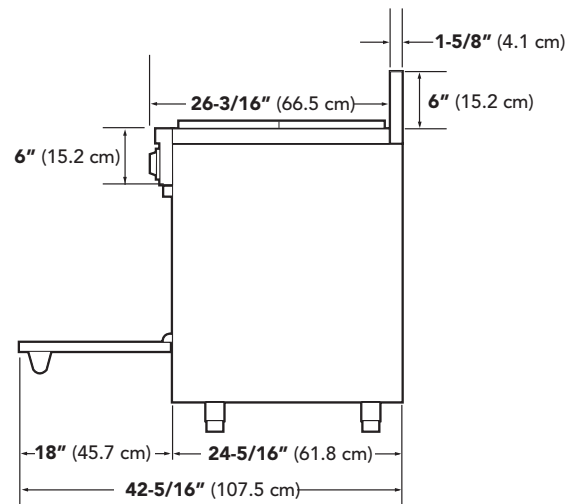
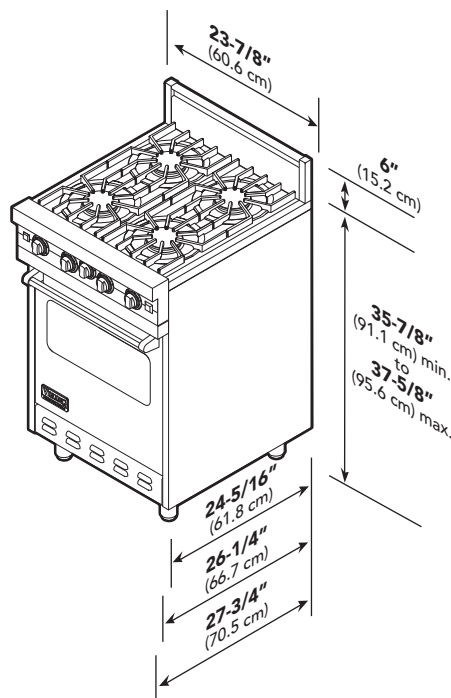
**VGIC245-G
Griddle Range**



**VGIC245-Q
Grill Range**



**VGIC245-K
Wok/Cooker Range**



★ Please see Installation Notes & Accessories for important information, including backguard, high-shelf, island trim, and curb base front.



Star-K Kosher Certification for use on the Jewish Sabbath or Jewish holidays

All models

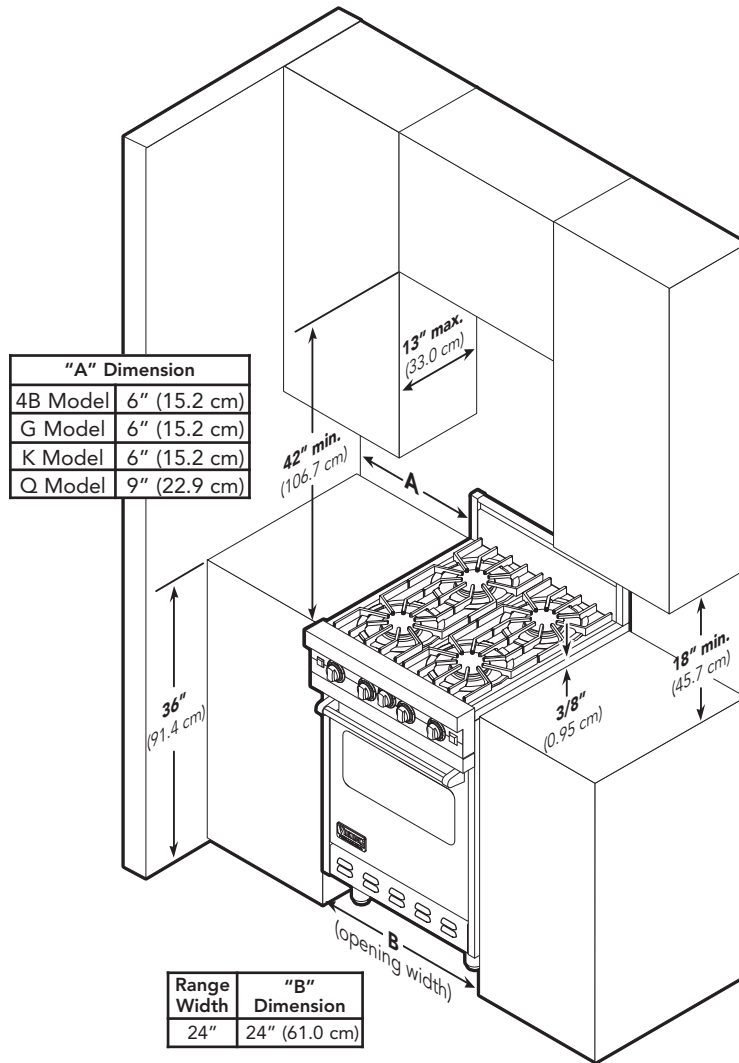
Overall width	23-7/8" (60.6 cm)
Overall height	
Base height	
To top of grate support	35-7/8" (91.1 cm) min. to 37-5/8" (95.6 cm) max.
Legs adjust	1-3/4" (4.5 cm)
Additions to base height	
To top of grate	Add 1-1/8" (2.9 cm)
To top of island trim	Add 1-1/4" (3.2 cm)
To top of 6" backguard	Add 6" (15.2 cm)
To top of high shelf	Add 23-1/2" (59.7 cm)
Overall depth (from rear)	
To end of side panel	24-5/16" (61.8 cm)
To end of control panels	26-1/4" (66.7 cm)
To end of knobs	27-3/4" (70.5 cm)
Oven	
Interior width	18" (45.7 cm)
Interior height	16-1/8" (41.0 cm)
Interior depth	17-5/8" (44.8 cm)
Overall interior size	3.0 cu. ft.





Dimensions & Specifications

CLEARANCE DIMENSIONS



Minimum clearances from adjacent combustible construction

- Cooking surface and below, i.e., 36" (91.4 cm) and below
 - o Sides—0"
 - o Rear—0" with backguard or high shelf; 0" with island trim and non-combustible rear wall; 6" (15.2 cm) with island trim and combustible rear wall
 - o Top grate support—36" (91.4 cm)
- Above cooking surface, i.e., above 42" (91.4 cm)
 - o Sides: 4B/G/K—6" (15.2 cm); Q—9" (22.9 cm)
 - o Within 6" (15.2 cm) side clearance, wall cabinets no deeper than 13" (33.0 cm) must be minimum 18" (45.7 cm) above cooking surface
 - o Wall cabinets directly above product

must be minimum 42" (106.7 cm) above cooking surface

- Use range only with factory supplied legs

1. This range may be installed directly adjacent to existing 36" (91.4 cm) high base cabinets. **Important:** The top grate support **must** be 3/8" (0.95 cm) above the adjacent base cabinet countertop. This may be accomplished by raising the unit using the adjustment spindles on the legs.
2. The range **cannot** be installed directly adjacent to sidewalls, tall cabinets, tall appliances, or other side vertical surfaces above the 36" (91.4 cm) counter height. There must be a minimum of 6" (15.2 cm) side clearance for the Four-Burner and Griddle model ranges and a minimum

of 9" (22.9 cm) side clearance for the Char-Grill model to such combustible surfaces above the 36" (91.4 cm) counter height.

3. Within the side clearance to combustible vertical surfaces above 36" (91.4 cm), the maximum wall cabinet depth must be 13" (33.0 cm) and wall cabinets within this side clearance must be 18" (45.7 cm) above the 36" (91.4 cm) high countertop.
4. Wall cabinets above the range must be a minimum of 42" (106.7 cm) above the range cooking surface for the full width of the range. This minimum requirement does not apply if a hood is installed over the cooking surface.





UTILITY REQUIREMENTS



GAS

- Shipped natural gas standard; field convert to LP/propane with optional accessory kit or order as LP by adding LP after color code
- Accepts standard residential 1/2" ID gas service line
- Gas manifold pressure
 - o Natural gas 5.0" W.C.P.
 - o LP/Propane 10.0" W.C.P.



ELECTRICAL

- Four-foot (121.9 cm) cord included with range
- Three-wire with ground/three-prong plug
- 120 V/60 Hz
- Maximum amp usage—
 - o 4B—4.3
 - o G—11.5
 - o Q—4.3
 - o K—4.3



PLUMBING

Not applicable

Installation Requirements

ACCESS REQUIREMENTS



VGIC245-4B Four-Burner Range



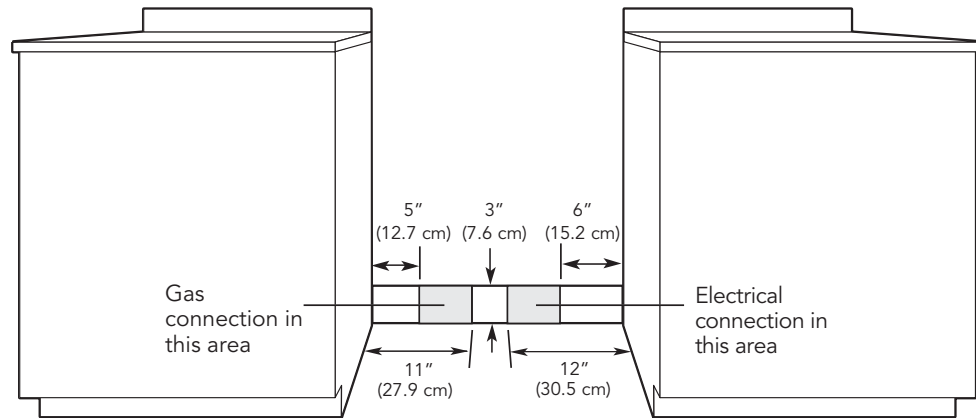
VGIC245-G Griddle Range



VGIC245-Q Grill Range



VGIC245-K Wok/Cooker Range



Note: Ground plug and electrical wire toward the direction of the electrical outlet.

	VGIC245-4B	VGIC245-G	VGIC245-Q	VGIC245-K
Surface burner rating				
Four grated burners (each)	15,000 BTU Nat. (4.4 kW)/ 13,500 BTU LP (4.0 kW)			
Two griddle (each)		15,000 BTU Nat. (4.4 kW)/ 13,500 BTU LP (4.0 kW)		
Two grill (each)			18,000 BTU Nat. (5.3 kW)/ 16,000 BTU LP (4.7 kW)	
Wok top				27,500 BTU Nat./LP (8.1 kW)
Broil burner rating	15,000 BTU Nat. (4.4 kW)/13,500 BTU LP (4.0 kW)			
Bake burner rating	30,000 BTU Nat./LP (8.8 kW)			





COOKING

Professional Freestanding Gas 24"W. Open Burner Range



✦ Installation Notes & Accessories

A backguard, high-shelf, or island trim must be used for all installations.

6"H. Backguard

- Stainless Steel (SS)
- Coordinates with all finishes
- Included (and shipped) automatically with 24"W. companion models

Model	Description	Approx. ship wt. lbs. (kg)
T24BG6	24"W. backguard	11 (5.0)

High-shelf

- Stainless Steel (SS)
- Coordinates with all finishes
- Shelf comes attached to a 24"H. backguard

Model	Description	Approx. ship wt. lbs. (kg)
T24HS24	24"W. high-shelf	40 (18.0)

Island Trim

- Stainless Steel (SS)
- Coordinates with all finishes
- For island/peninsula installation
- Can replace backguard if wall is non-combustible

Model	Description	Approx. ship wt. lbs. (kg)
T24TII	24"W. island trim	9 (4.1)

Countertop Side Trim

- Stainless Steel (SS)
- Coordinates with all finishes
- Installs on side of unit; overlaps countertop

Model	Description	Approx. ship wt. lbs. (kg)
CT24ST	24"D. side trim	2 (0.9)





✦ Installation Notes & Accessories

Curb Base Front

- Stainless Steel (SS)
- Coordinates with all finishes
- Front only
- Conceals range legs
- Completely assembled
- Easily clips onto range legs after range is installed

Custom Curb Base Front

- Remove stainless steel front and recycle
- Attach locally supplied trim
- Conceals range legs
- Completely assembled
- Easily clips onto range legs after range is installed
- Provides drop-in range look

Model	Description	Approx. ship wt. lbs. (kg)
RS24CBF4	24"W. curb base front	8 (3.6)

LP/Propane Conversion Kit

- Allows for field conversion of range from natural gas to LP

Model	Description	Approx. ship wt. lbs. (kg)
LPKPDR	Natural to LP/propane conversion kit	2 (0.9)

Compliance Information



WARRANTY SUMMARY*

- Three-year full warranty—complete product
- Ten-year limited warranty—porcelain oven and porcelain inner door panel
- Five-year limited warranty—surface burners, griddle burners, grill burners, and oven burner
- Ninety-day limited warranty—cosmetic parts such as glass, painted, and decorative items

* For complete warranty see *Use & Care Guide*. Warranty valid on Viking products shipped within the United States and Canada.

